



Tarrington House





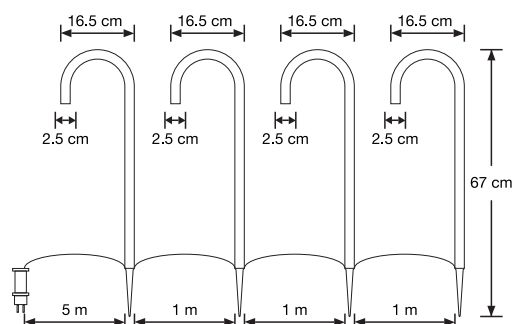
# LED candy cane sticks

## Operating Manual:

- Please read the attached operating manual thoroughly before startup.
- Please retain manual and packaging for future reference, as these contain important information.
- Should this appliance be passed on to a third party, then this operating manual must be included.

## Safety Instructions:

- This is a decoration article and not a toy for children! Please keep out of the reach of children.
- This article is not suitable for room illumination and it is only for decoration purpose.
- The light source of this article is not replaceable; when the light source reaches its end of life the whole article shall be replaced.
- This article can be used indoors and outdoors.
- This article must not be electrically connected with another article.
- Avoid damage to the power cable through squashing and contact with sharp edges.
- Please note that the mains plug and the connecting cable are not to be damaged. If any damage occurs the article must not be used anymore. Plug and power cable are not replaceable.
- Place the power cable and any extension cable in such a manner that nobody will stumble upon them or pull on them unintentionally.
- The flexible connection conduit of this article cannot be exchanged or repaired. Should the conduit become damaged, the article must be destroyed.
- Do not connect this article to the supply while it is in the packing unless the packing has been adapted for display purpose.
- Before connecting to the mains, please ensure that available mains voltage and type are corresponding to the data on the transformer's rating plate.
- The article is classified as protection class III and should be operated only in connection with the provided transformer. 
- Do not expose the transformer to extreme temperatures.
- Always pull by the mains plug, not by the cable.
- Risk of electrical shock! The article is protected from splash water (IP44), in spite of that do not use the article in vicinity of water and other liquids, or in places where water and other liquids can stagnate. The article is not to be submerged under water. Keep a minimum distance of five meters from swimming pool or ponds. Protect the plug from moisture.
- Not to be operated in vicinity of gas or electric heaters, open fires, candles or other heat sources.
- Never try to repair this article yourself. For servicing and repair, contact a specialist dealer or a qualified operator.
- Please remove the plug from the mains socket if article will not be used for extended periods of time.
- This transformer corresponds to protection class II and should therefore not be connected to a protective earthing conductor. 
- Please check for damages prior to each use of the article.
- Do not hang any objects on the article.
- Do not hang the article on its power cables; please use the textile strings or the thread guides provided, if available.
- Insert the connector plug of the article in the corresponding socket of the transformer and tighten the coupling nut of the connector plug. Please check that the sealing is installed and correctly set.
- Make sure to follow the correct polarity of the connector plug when inserting on the socket of the transformer.
- Protect the article from dust, humidity and extreme temperatures.
- Do not cover the article with other objects.
- Not to be used in cabinets, containers or similar poor-ventilated spaces.
- Do not step on the article!
- The lamps are not replaceable!
- **Warning!** This article must not be used without all gaskets being in place.



## Technical Data:

Transformer: LRLS-IP-31003.6  
 Input: 220-240 V~, 50/60 Hz  
 Output: 31 V ===, 3.6 W  
 40 LEDs, 3.6 W, ice white

## Cleaning and Maintenance:

- Pull the mains plug out from the socket before cleaning and let this article cool down sufficiently.
- Clean the article with a soft cloth and with some mild cleaning solvent if necessary. Do not use petrol or solvents at all, as the materials can be damaged.



## Environmental Protection

Discarded electric appliances are recyclable and should not be discarded in the domestic waste! Please actively support us in conserving resources and protecting the environment by returning this appliance to the collection centres.

## Warranty

A statutory warranty applies for this product.

Damages caused by wrong treatment or operation, by false placement or storage, improper connection or installation, as well as force or other external influences are not covered by this warranty. We recommend careful reading of the operating instructions as it contains important information.

## Note:

1. In case this product does not function correctly, please firstly check if there are other reasons, e.g. for electrical appliances interruption of the power supply, or generally incorrect handling are the cause.
2. Please note that, where possible, the following documents or rather information should be provided together with your faulty product:
  - Purchase receipt
  - Model description/Type/Brand
  - Describe the fault and problem as detailed as possible

In the case of a claim for guarantee or defects, please contact the seller.

GWL 8/14 EN



IP44



QA20-000001232

MCC Trading International GmbH  
 Schlüterstraße 5  
 40235 Düsseldorf  
 Germany

Model No.: OPT040JS1

Made in China

200427